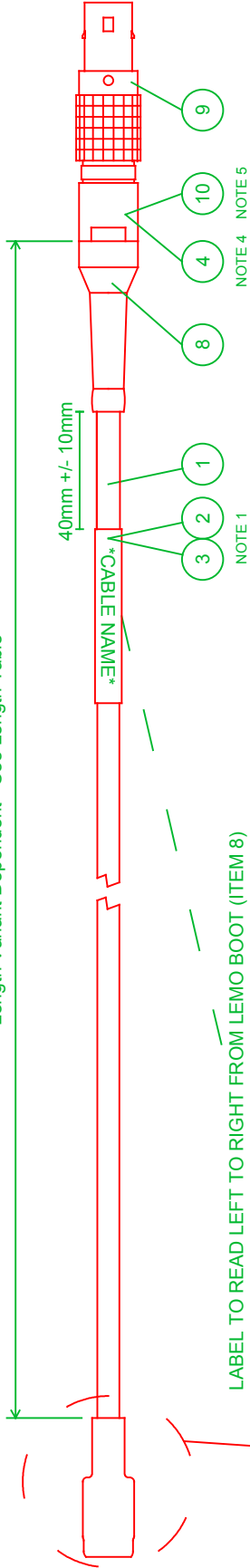


DRAWING NOT TO SCALE

Length Variant Dependent - See Length Table



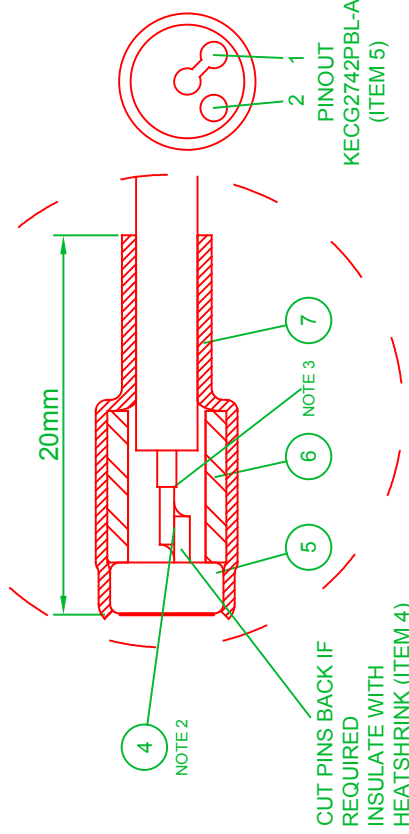
LABEL TO READ LEFT TO RIGHT FROM LEMO BOOT (ITEM 8) DEPENDING ON CABLE LENGTH, LABEL CABLE WITH CABLE NAME SHOWN IN LENGTH TABLE BELOW.

NOTE 4 NOTE 5

NOTE 1

NOTES:

1. AFFIX THE PRINTED LABEL (ITEM 2) TO THE CABLE (ITEM 1) IN THE ORIENTATION SHOWN AND CAREFULLY SHRINK OVER USING THE CLEAR HEATSHRINK (ITEM 3) ENSURING EVEN COVERAGE.
2. EACH OF THE MICROPHONE SOLDER JOINTS SHOULD BE COVERED USING AN APPROPRIATE LENGTH OF HEATSHRINK (ITEM 4).
3. THE CABLE SCREEN SHOULD BE SEPARATED FROM THE CORE, TWISTED TOGETHER AND INSULATED WITH AN APPROPRIATE LENGTH OF HEATSHRINK (ITEM 4).
4. INSULATE LEMO SOLDER JOINTS WITH A SUITABLE LENGTH OF HEATSHRINK (ITEM 4).
5. FIT HEATSHRINK (ITEM 10) UNDER LEMO CONNECTOR COLLET TO ENSURE GOOD GRIP ON CABLE.



BILL OF MATERIALS				
ITEM	QTY	SUPPLIER	PART NUMBER	DESCRIPTION
1	A/R	CPC	CBBR4164	SINGLE-CORE SCREENED AUDIO CABLE, BLACK
2	1	AVERY	J8658-25	25.4 x 10mm LABEL + CABLE IDENT
3	30mm	FARNELL	119-0819	4.8mm 2:1 CLEAR HEATSHRINK
4	A/R	FARNELL	119-1021	1.5mm 3:1 BLACK HEATSHRINK
5	1	FARNELL	150-2742	MICROPHONE, ELECTRET, CONDENSER
6	1	FARNELL	666-932	SPACER, NYLON CIRCULAR, M4x8mm
7	20mm	RS	157-3795	6mm 3:1 BLACK ADHESIVE HEATSHRINK
8	1	LEMO	GMA.0B.030.DN	LEMO BEND RELIEF BOOT, BLACK
9	1	LEMO	FGG.0B.304.GLAD4Z	LEMO 4-WAY PLUG, G-KEYWAY
10	10mm	FARNELL	121-0353	4.8mm 2:1 BLACK HEATSHRINK

MICROPHONE WIRING				
MICROPHONE PIN	CONDUCTOR	FUNCTION	4-WAY LEMO PIN	
1	CORE	AUDIO SIGNAL	1	
2	SCREEN	AUDIO GND	2	

LENGTH TABLE		
CABLE NAME	LENGTH	TOLERANCE
RLACS221	2.5m	+/- 20mm
RLACS221-5	5m	+/- 20mm

DRAWING NUMBER	RLACS221-x	DRAWN	S. HOOPER	SHEET	1/1
DESCRIPTION	VBOX VIDEO MONO MICROPHONE				
REVISION					
ISS	DESCRIPTION	DATE	APPROVED	REDMINE	
3	ADDITION OF LENGTH TABLE	27-03-17	ST	8866	