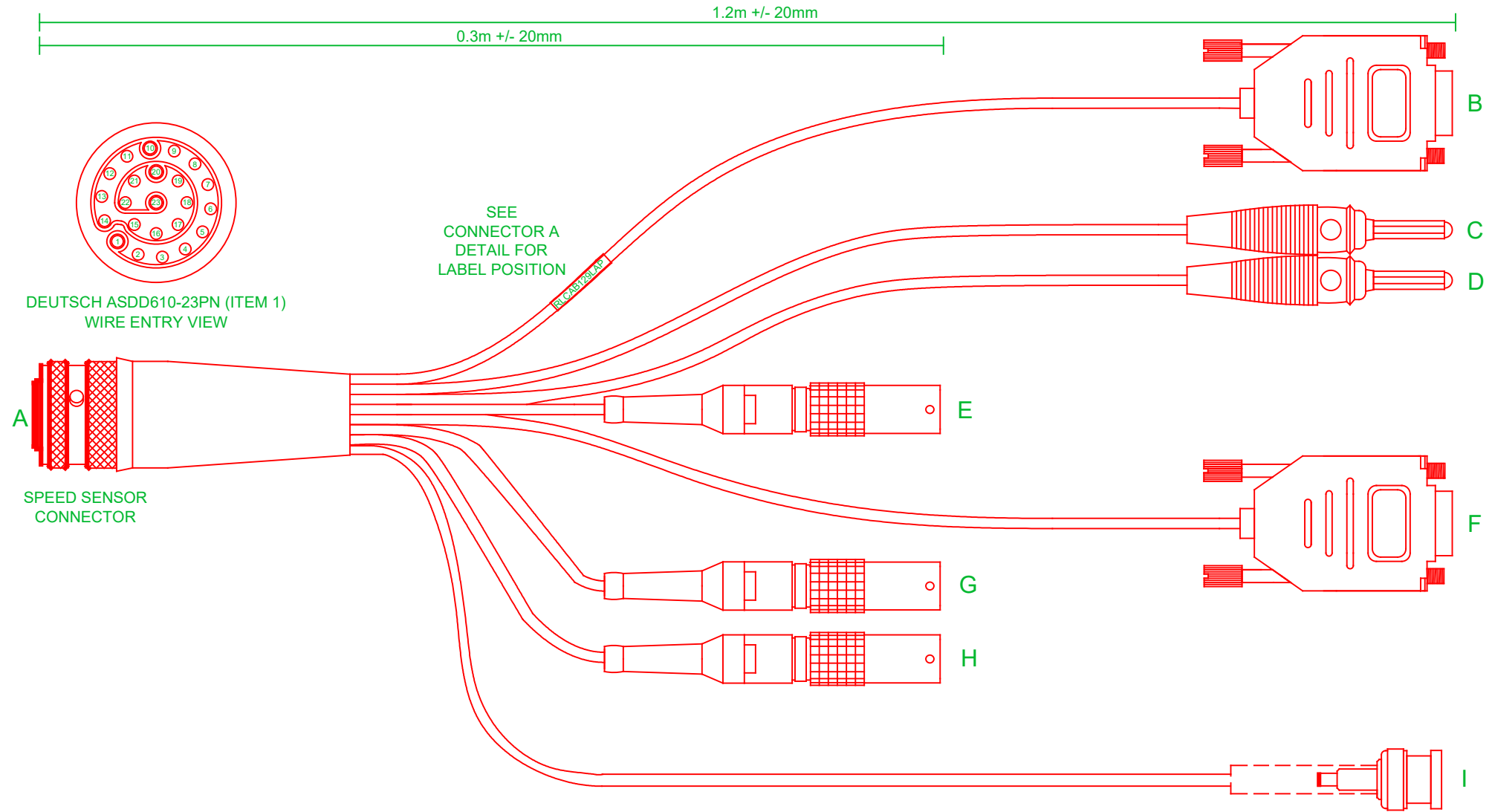
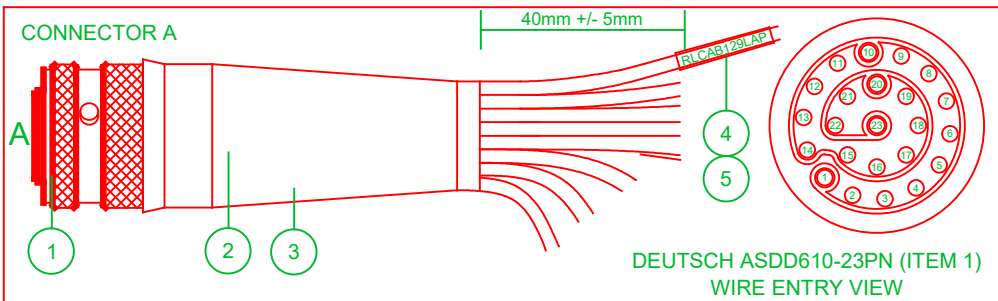


DRAWING NOT TO SCALE



DRAWING NUMBER	RLCAB129LAP	DRAWN	R.ENGLISH	SHEET	1/6
DESCRIPTION	SPEED SENSOR WITH IMU - BRAKING CABLE				
REVISION					
ISS	DESCRIPTION	DATE	APPROVED	REDMINE	
1	FIRST ISSUE	08/01/20	SH	14525	



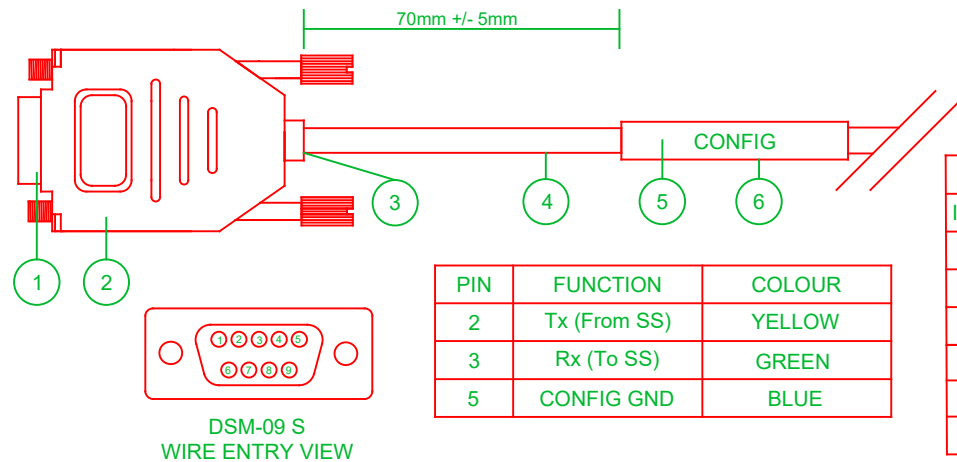
- CRIMP SETTING ON DEUTSCH TOOL NEEDS TO BE SET TO SIZE AWG 26 WIRE
- TIGHTLY WRAP KAPTON TAPE AROUND WIRES TO HOLD SECURE AND PROTECT FROM HEAT.
- FIT CONTACTS IN ALL DEUTSCH CONNECTOR (ITEM 1) POSITIONS EVEN WHEN CONTACT IS NOT WIRED.
- DO NOT WRAP KAPTON OVER BACK OF CONNECTOR AS THIS WILL PREVENT BOOT FROM GRIPPING THE CONNECTOR, SEE PHOTO.
- ONCE CONNECTOR PINS ARE POPULATED, TEST CABLE BEFORE SHRINKING ADHESIVE LINED BOOT.
- POT CONNECTOR BOOT (ITEM 3) WITH POTTING COMPOUND ENSURING THAT NO POTTING COMPOUND RUNS DOWN THE OUTSIDE OF THE CONNECTOR BOOT (ITEM 3).



BILL OF MATERIALS

ITEM	QTY	SUPPLIER	PART NUMBER	DESCRIPTION
1	1	SERVO	ASDD610-23PN	DEUTSCH AUTOSPORT CONNECTOR
2	1	RS	436-2762	KAPTON TAPE
3	1	FARNELL	189-1547	ADHESIVE-LINED STRAIN BOOT
4	1	AVERY	J8658-25	25.4 x 10mm LABEL + CABLE IDENT
5	1	FARNELL	304-6539	HEATSHRINK CLEAR 6mm 3:1

CONNECTOR B

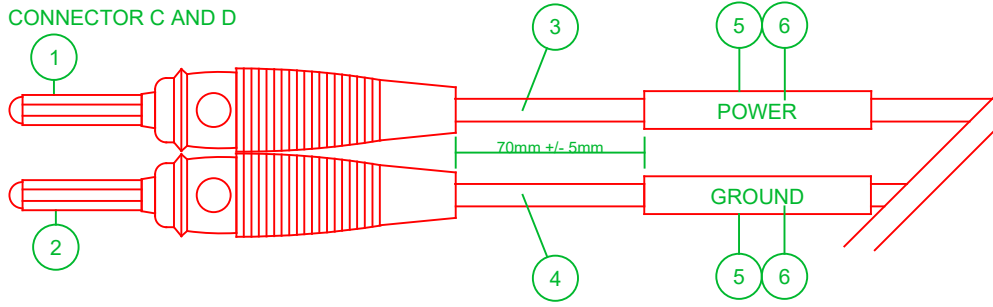


BILL OF MATERIALS

ITEM	QTY	SUPPLIER	PART NUMBER	DESCRIPTION
1	1	TOBY	DSM-09-S	9 WAY D SOCKET
2	1	TOBY	MHDPPK-09-K	9 WAY D CONNECTOR HOOD
3	20mm	FARNELL	119-0781	HEATSHRINK
4	1.2m	FARNELL	119-0211	7-2-04A CABLE - 4 WIRES - 7/32 AWG 0.2mm
5	1	AVERY	J8658-25	25.4 x 10mm LABEL + CABLE IDENT
6	30mm	FARNELL	304-6539	HEATSHRINK CLEAR 6mm 3:1

DRAWING NUMBER	RLCAB129LAP	DRAWN	R.ENGLISH	SHEET	2/6
DESCRIPTION	SPEED SENSOR WITH IMU - BRAKING CABLE				
REVISION					
ISS	DESCRIPTION	DATE	APPROVED	REDMINE	
1	FIRST ISSUE	08/01/20	SH	14525	

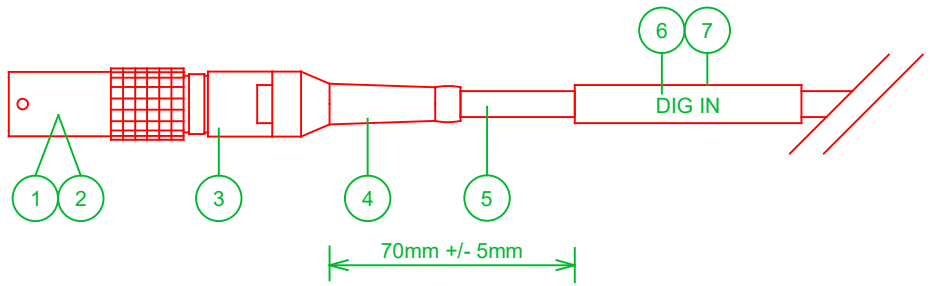
CONNECTOR C AND D



BILL OF MATERIALS

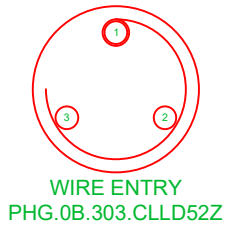
ITEM	QTY	SUPPLIER	PART NUMBER	DESCRIPTION
1	1	RS	641-8025	4mm PLUG - RED
2	1	RS	641-8019	4mm PLUG - BLACK
3	1.2m	RS	359-683	RED CABLE
4	1.2m	RS	359-677	BLACK CABLE
5	2	AVERY	J8658-25	25.4 x 10mm LABEL + CABLE IDENT
6	2 x 30mm	FARNELL	304-6539	HEATSHRINK CLEAR 6mm 3:1

CONNECTOR E



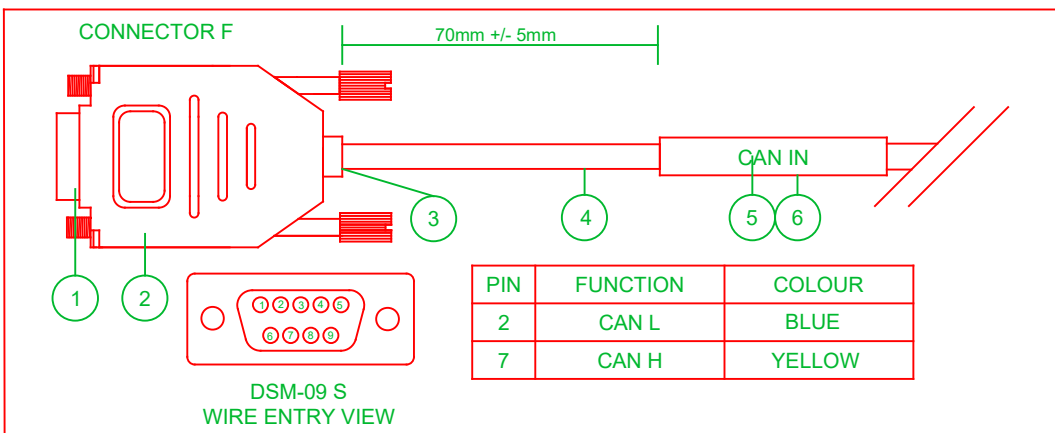
BILL OF MATERIALS

ITEM	QTY	SUPPLIER	PART NUMBER	DESCRIPTION
1	1	LEMO	PHG.0B.303.CLLD52Z	LEMO 3-WAY CABLE-MOUNT SOCKET
2	A/R	FARNELL	119-1021	HEATSHRINK 1.5/0.5
3	10mm	FARNELL	100-8431	HEATSHRINK 2:1 BK 4.8mm
4	1	LEMO	GMA.0B.035.DN	LEMO STRAIN RELIEF BLACK
5	0.3m	FARNELL	119-0211	7-2-04A CABLE - 4 WIRES - 7/32 AWG 0.2mm
6	1	AVERY	J8658-25	25.4 x 10mm LABEL + CABLE IDENT
7	30mm	FARNELL	304-6539	HEATSHRINK CLEAR 6mm 3:1

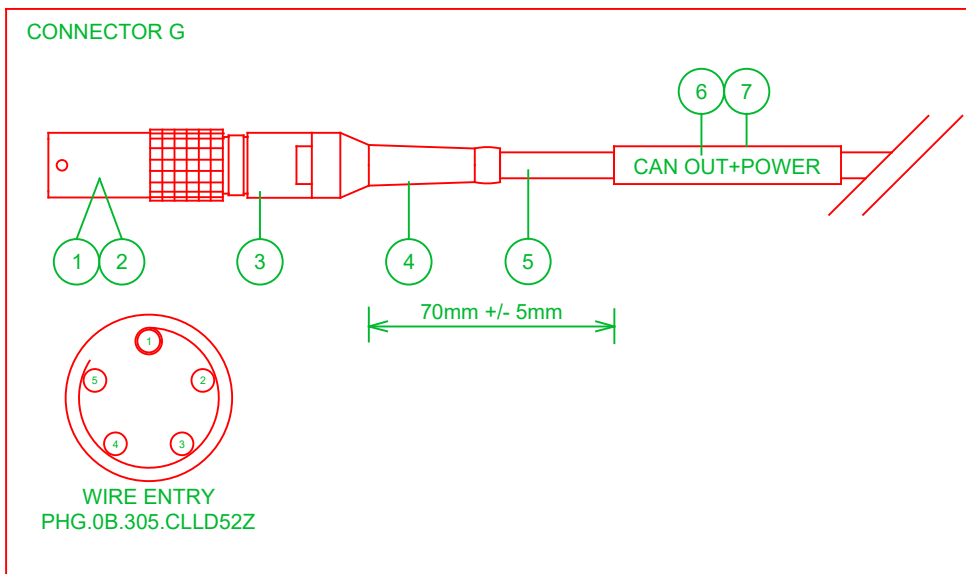


PIN	FUNCTION	COLOUR
SHELL	DIG IN GND	BLUE
3	DIG IN	GREEN

DRAWING NUMBER	RLCAB129LAP	DRAWN	R.ENGLISH	SHEET	3/6
DESCRIPTION	SPEED SENSOR WITH IMU - BRAKING CABLE				
REVISION					
ISS	DESCRIPTION	DATE	APPROVED	REDMINE	
1	FIRST ISSUE	08/01/20	SH	14525	



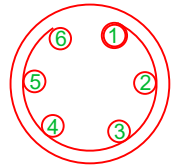
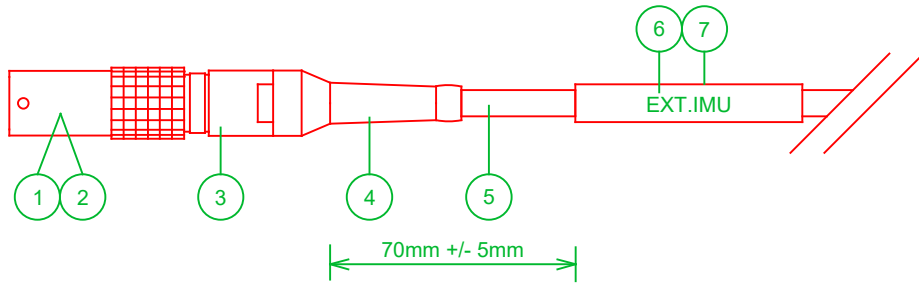
BILL OF MATERIALS				
ITEM	QTY	SUPPLIER	PART NUMBER	DESCRIPTION
1	1	TOBY	DSM-09-S	9 WAY D SOCKET
2	1	TOBY	MHDPPK-09-K	9 WAY D CONNECTOR HOOD
3	20mm	FARNELL	119-0781	HEATSHRINK
4	1.2m	FARNELL	119-0211	7-2-04A CABLE - 4 WIRES - 7/32 AWG 0.2mm
5	1	AVERY	J8658-25	25.4 x 10mm LABEL + CABLE IDENT
6	30mm	FARNELL	304-6539	HEATSHRINK CLEAR 6mm 3:1



BILL OF MATERIALS				
ITEM	QTY	SUPPLIER	PART NUMBER	DESCRIPTION
1	1	LEMO	PHG.0B.305.CLLD52Z	LEMO 5-WAY CABLE-MOUNT SOCKET
2	A/R	FARNELL	119-1021	HEATSHRINK 1.5/0.5
3	10mm	FARNELL	100-8431	HEATSHRINK 2:1 BK 4.8mm
4	1	LEMO	GMA.0B.035.DA	LEMO STRAIN RELIEF BLUE
5	0.3m	FARNELL	119-0211	7-2-04A CABLE - 4 WIRES - 7/32 AWG 0.2mm
6	1	AVERY	J8658-25	25.4 x 10mm LABEL + CABLE IDENT
7	30mm	FARNELL	304-6539	HEATSHRINK CLEAR 6mm 3:1

DRAWING NUMBER	RLCAB129LAP	DRAWN	R.ENGLISH	SHEET	4/6
DESCRIPTION	SPEED SENSOR WITH IMU - BRAKING CABLE				
REVISION					
ISS	DESCRIPTION	DATE	APPROVED	REDMINE	
1	FIRST ISSUE	08/01/20	SH	14525	

CONNECTOR H



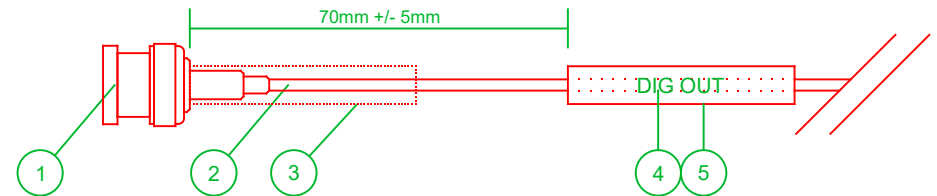
WIRE ENTRY VIEW
PHA.0B.306.CLLD52Z

BILL OF MATERIALS

ITEM	QTY	SUPPLIER	PART NUMBER	DESCRIPTION
1	1	LEMO	PHA.0B.306.CLLD52Z	LEMO 6-WAY CABLE-MOUNT SKT - A-KEYWAY
2	A/R	FARNELL	119-1021	HEATSHRINK 1.5/0.5
3	10mm	FARNELL	100-8431	HEATSHRINK 2:1 BK 4.8mm
4	1	LEMO	GMA.0B.040.DN	LEMO STRAIN RELIEF BLACK
5	0.3m	RS	660-4049	CABLE- 6 CORE UN-SCREENED
6	1	AVERY	J8658-25	25.4 x 10mm LABEL + CABLE IDENT
7	30mm	FARNELL	304-6539	HEATSHRINK CLEAR 6mm 3:1

PIN	FUNCTION	COLOUR
1	Rx	GREEN
2	Tx	YELLOW
5	Ext.IMU POWER	RED
6	IPPS	WHITE
SHELL	Ext.IMU GND	BLACK

CONNECTOR I



PIN	FUNCTION
COAX SCREEN	GROUND
COAX CORE	DIGITAL OUTPUT

BILL OF MATERIALS

ITEM	QTY	SUPPLIER	PART NUMBER	DESCRIPTION
1	1	RS	512-1534	RG17 BNC PLUG STRAIGHT
2	1.2m	RS	521-8206	COAX RG174AU 50R
3	30mm	FEC	100-8431	4.8mm 2:1 BLACK HEATSHRINK
4	1	AVERY	J8658-25	25.4 x 10mm LABEL + CABLE IDENT
5	30mm	FARNELL	304-6539	HEATSHRINK CLEAR 6mm 3:1

DRAWING NUMBER	RLCAB129LAP	DRAWN	R.ENGLISH	SHEET	5/6
DESCRIPTION	SPEED SENSOR WITH IMU - BRAKING CABLE				
REVISION					
ISS	DESCRIPTION	DATE	APPROVED	REDMINE	
1	FIRST ISSUE	08/01/20	SH	14525	

CONNECTOR WIRING				
DEUTSCH 23 WAY	FUNCTION	COLOUR	FUNCTIONAL GROUP	CABLE CONNECTOR TYPE
PIN				
6	POWER	RED	POWER IN	4mm BANANA PLUG RED
5	POWER RETURN	BLACK		4mm BANANA PLUG BLACK
14	DIG IN GND	BLUE	DIGITAL INPUT	3 WAY LEMO SOCKET
13	DIG IN	GREEN		
12	CAN H	YELLOW	CAN IN	9 WAY D-TYPE SOCKET
11	CAN L	BLUE		
10	CAN H	YELLOW	CAN OUT+ POWER	5 WAY LEMO SOCKET
9	CAN L	BLUE		
7	POWER OUT	RED		
8	POWER GND	GREEN		
22	Tx (From SS)	YELLOW	CONFIG (RS232)	9 WAY D-TYPE SOCKET
21	Rx (To SS)	GREEN		
15	CONFIG GND	BLUE		
20	Tx (From SS)	YELLOW	Ext. IMU (RS232 + 1PPS)	LEMO 6 WAY SOCKET A-KEYWAY
19	Rx (To SS)	GREEN		
23	1PPS	WHITE		
17	Ext. IMU GND	BLACK		
18	Ext. IMU POWER	RED		
2	DIG OUT GND	SCREEN	DIGITAL OUTPUT	BNC
1	DIG OUT	CORE		

DRAWING NUMBER	RLCAB129LAP	DRAWN	R.ENGLISH	SHEET	6/6
DESCRIPTION	SPEED SENSOR WITH IMU - BRAKING CABLE				
REVISION					
ISS	DESCRIPTION	DATE	APPROVED	REDMINE	
1	FIRST ISSUE	08/01/20	SH	14525	