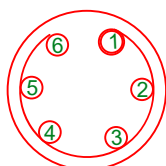
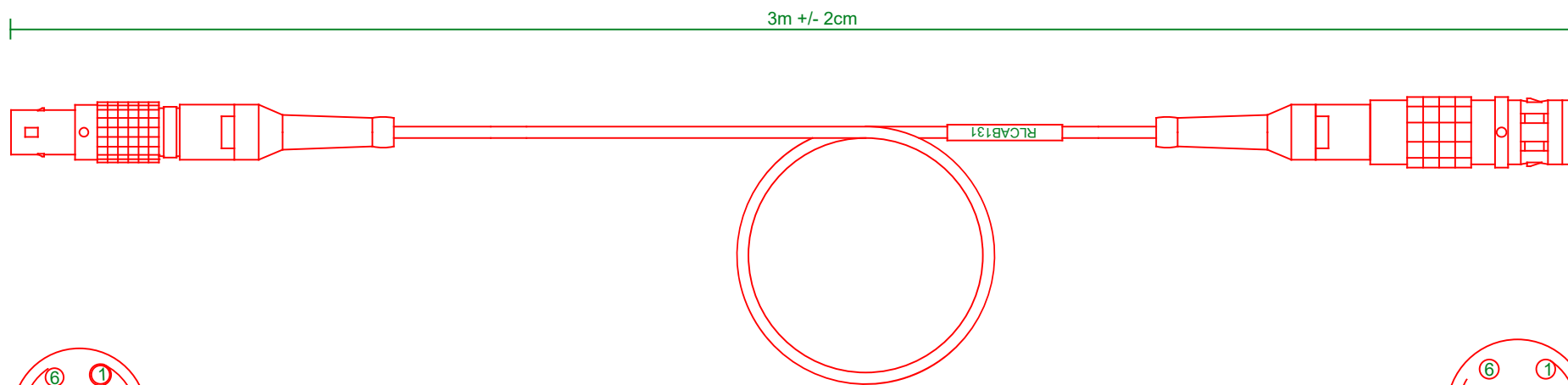
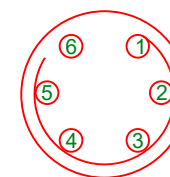


DRAWING NOT TO SCALE



PIN VIEW



PIN VIEW

LEMO CONNECTOR WIRING		
6-WAY PLUG	FUNCTION	6-WAY S/P PLUG
1	Rx	1
2	Tx	2
5	Ext.IMU PWR	5
6	1PPS	6
SHELL	Ext.IMU GND	SHELL

DRAWING NUMBER	RLCAB131	DRAWN	S.HOOPER	SHEET	1/1
DESCRIPTION	EXTERNAL IMU EXTENSION CABLE 3m				
REVISION					
ISS	DESCRIPTION	DATE	APPROVED	REDMINE	
3	CORRECTION OF CONNECTOR KEYWAY	09-07-15	GC	5711	