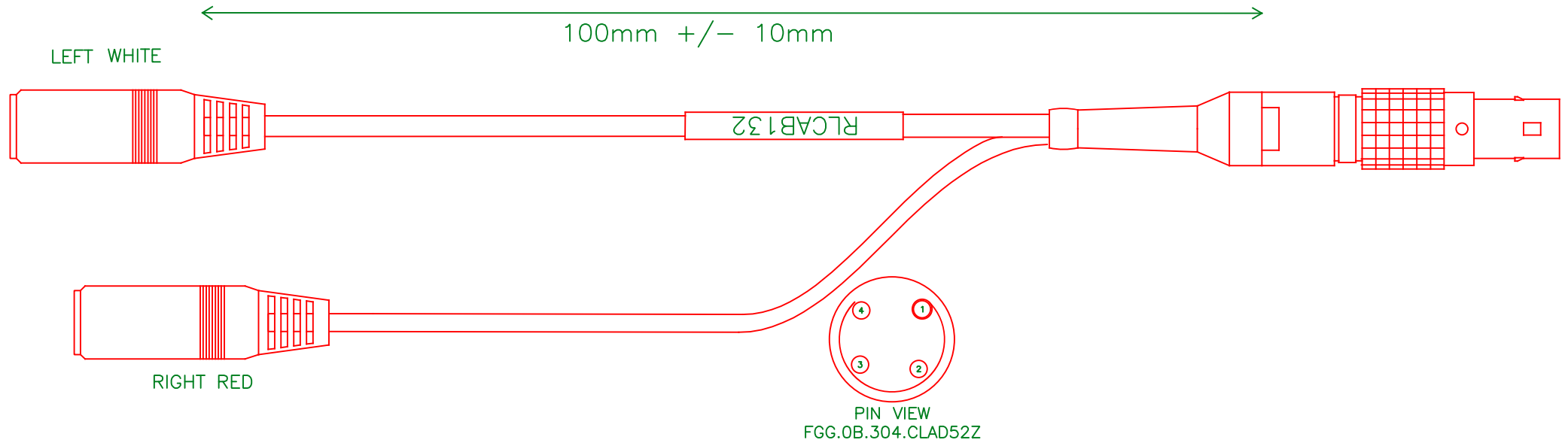


# DRAWING NOT TO SCALE



## MICROPHONE SPLITTER WIRING

JACK PLUG	FUNCTION	CONDUCTOR	4-WAY LEMO PIN
LEFT CENTRE	WHITE SIGNAL	CORE (CLEAR)	1
LEFT OUTER	WHITE GND	SCREEN	2
RIGHT OUTER	RED GND	SCREEN	3
RIGHT CENTRE	RED SIGNAL	CORE (WHITE)	4

DRAWING NUMBER	RLCAB132	DRAWN	S.BROOKS	SHEET	1/1
DESCRIPTION	VBOX VIDEO MICROPHONE SPLITTER				
REVISION					
ISS	DESCRIPTION	DATE	APPROVED	REDMINE	
3	ADDITION OF PIN OUT DRAWING	07.07.16	SH	7835	