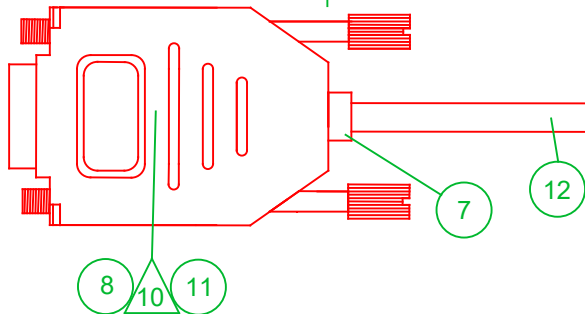
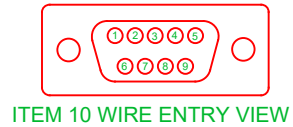


**BILL OF MATERIALS**

ITEM	QTY	MANUFACTURER	MANUFACTURER P/N	DESCRIPTION	RACELOGIC P/N
1	1	MEAN WELL	GEM60I12-P1J	60W AC-DC INTERCHANGEABLE ADAPTOR	GEM60I12-P1J
2	50mm	TE Connectivity	CGAT-9/3-0	Heatshrink Adhesive 9mm 3:1 Black	157-3802
3	A/R	PRO-POWER	13625	Heatshrink 3.2mm 2:1 Black	100-8430
4	1	G&B Projects	NS20-53	M5x20 Nylon Spacer	M5X20_SPACER
5	1	Avery	J8658-26	Cable Ident 25.4mm x 10mm	
6	30mm	PRO-POWER	CGFC-6/2C	Heatshrink Clear 6mm 3:1	304-6539
7	20mm	PRO POWER	13636	HEATSHRINK 4.8MM 2:1 Black	100-8431
8	A/R	PRO POWER	SP3X15/5/BLACK	HEATSHRINK BLACK 1.5mm 3:1	119-1021
9	1	HIROSE	HR30-6P-6P(31)	HIROSE 6 WAY PLUG	142-5745
10	1	TOBY	DSM-09-S	9WAY D SOCKET	DSM-09-S
11	1	TOBY	MHDPPK-09-K	9 WAY CONNECTOR HOOD	MHDPPK-09-K
12	1m	MULTICOMP	MP002362	CABLE 4 CORE DEF 7-2-04C	119-0253
13	1	MEAN WELL	AC PLUG-MIX2	AC plug MIX EU-US-UK-AU connectors GEM60I	AC PLUG-MIX2



- REMOVE ITEM 13 FROM THE PACKAGING AND INCLUDE THEM WITH THE CABLE IN A PLASTIC BAG

Cable Name	Length
RLCAB204-3	3m +/- 20mm
RLCAB204-5	5m +/- 20mm
RLCAB204-10	10m +/- 20mm

ITEM 1	FUNCTION	ITEM 9	ITEM 10	ITEM 12
Solid Black Wire	VDC -VE	3	5	BLUE
White Dashed Wire	VDC +VE	6	N/C	RED
N/C	Tx HR30 Out	2	2	YELLOW
N/C	Rx HR30 In	1	3	GREEN

# RACELOGIC

Unit 10 Swan Business Centre, Osier Way, Buckingham, MK18 1TB.  
 Email: hardware@racelogic.co.uk Tel: +44 (0)1280 823803

	NAME	DATE
DRAWN	A. GOLDMAN	22/07/22
CHK'D	S. TAYLOR	22/07/22
APPV'D	S. HOOPER	22/07/22

UNLESS OTHERWISE SPECIFIED:  
 DIMENSIONS ARE IN MILLIMETRES  
 TOLERANCES: LINEAR: ±10mm ANGULAR: ±10°

DWG NUMBER : RLCAB204-X	
DESCRIPTION : VBSL AC Power Cable and RS232 - GEM60I12-P1J and 9W D-type (RS232) to Hirose 6W Plug	
REDMINE NUMBER : 19459	REVISION : 1
IF YOU ARE UNSURE ABOUT SOMETHING OR WOULD LIKE TO DEVIATE FROM THE DRAWING TO EASE MANUFACTURE, PLEASE CONTACT THE DESIGNER (DRAWN BY)	
<b>A4</b>	
DRAWING NOT TO SCALE	
SHEET 1 OF 2	

6

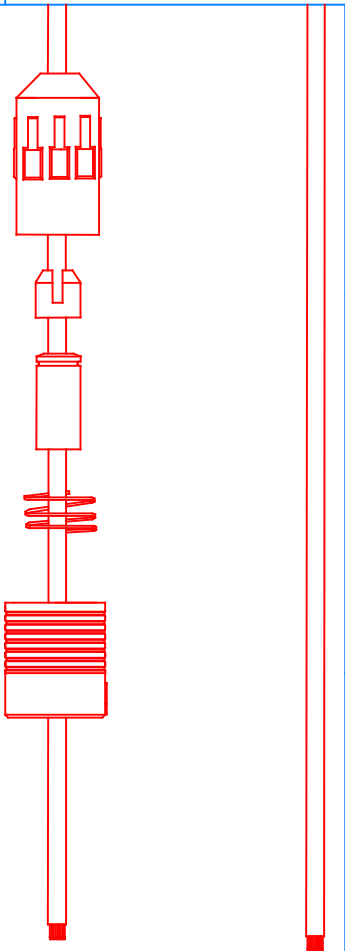
5

4

3

2

1

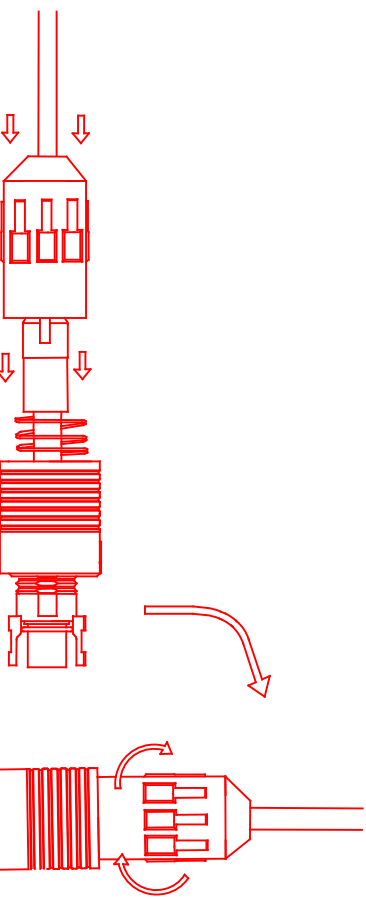
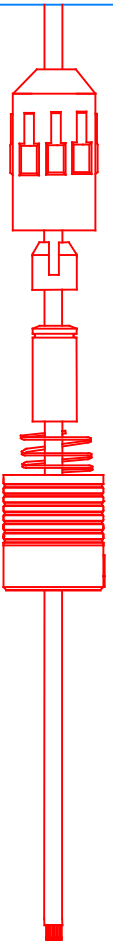


-Strip and tin 3mm from each wire

-Assemble the connector parts on the cable in the order and orientation shown

-Solder connector on as per the connection table insulate all joints with ITEM 8.

-Slide/assemble the connector components together, ensuring that the Hirose connector back shell is fully tightened.



# RACELOGIC

Unit 10 Swan Business Centre, Osier Way, Buckingham, MK18 1TB.  
 Email: hardware@racelogic.co.uk Tel: +44 (0)1280 823803

NAME	DATE
A. GOLDMAN	22/07/22
S. TAYLOR	22/07/22
S. HOOPER	22/07/22

UNLESS OTHERWISE SPECIFIED,  
 DIMENSIONS ARE IN MILLIMETRES  
 TOLERANCES: LINEAR: ±10mm ANGULAR: ±10°

DWG NUMBER: RLCAB204-X	
DESCRIPTION: V8SL AC Power Cable and RS232 - GEM60112P1J and 9W D-type (RS232) to Hirose 6W Plug	
REDMINE NUMBER: 19459	REVISION: 1
IF YOU ARE UNSURE ABOUT SOMETHING OR WOULD LIKE TO DEVIATE FROM THE DRAWING TO EASE MANUFACTURE, PLEASE CONTACT THE DESIGNER (DRAWN BY)	
DRAWING NOT TO SCALE	SHEET 2 OF 2

A

B

C

D

6

5

4

3

2

1

A

B

C

D