

VBOX 3i Single Antenna

100 Hz GPS Data Logger (RLVB3i-V5)



VBOX 3i is one of the best known and highly valued test instruments for non-contact speed and distance measurement.

Using a powerful GPS/GLONASS engine, VBOX 3i (V5) logs data at 100 times a second and features a 400 MHz power PC processor. With IMU integration, USB and Bluetooth connectivity, compact flash card logging and audio functionality for voice tagging, the VBOX 3i represents a flexible solution to a range of testing requirements.



VBOX 3i comes in three versions: Single Antenna, Dual Antenna and RTK. When used with a DGPS Base Station, VBOX 3i Single Antenna can achieve 50 cm positional accuracy. (An RTK enabled version of the VBOX 3i can obtain <2 cm positional accuracy in conjunction with an RTK Differential Base Station.) This enables users to measure parameters within acceleration, deceleration, braking, ABS and ESP testing, handling manoeuvres and many other types of high dynamic testing.

As with previous VBOX models, VBOX 3i is compatible with all existing peripherals, including Multifunction Display, 16-bit Analogue Input Module, 4 Channel Frequency Input Module, Thermocouple Interface, and Yaw rate sensor.



For accurate testing, even in areas where the view of the sky is obstructed, VBOX 3i can gather additional information from an IMU (Inertial Measurement Unit – pictured left) and combine this with the GPS data in real-time to improve the quality of the parameters measured.

To keep track of the attitude of the vehicle and greatly increase the velocity and position accuracy during periods when satellite visibility is poor, the IMU uses three accelerometers and gyros.

Features

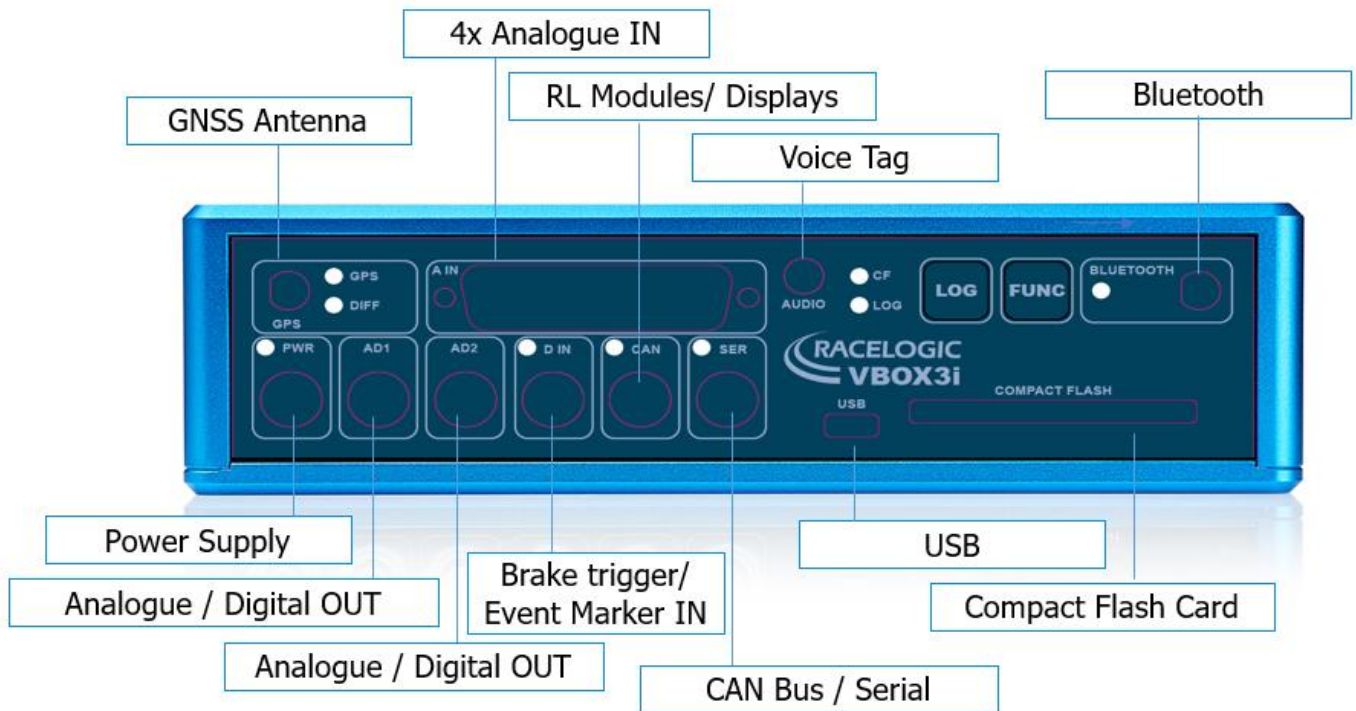
- Robust satellite lock using a GPS/ GLONASS antenna
- Very low latency (8.5 ±1 ms)
- 4 x 24-bit differential analogue input channels
- Brake/Event Trigger input of 25ns resolution
- 2 x CAN Bus interface for data input & output
- RS-232 serial interface
- USB Interface
- Bluetooth Interface
- Audio voice tagging
- Microphone headset included
- Data logged to Compact Flash Card
- 2 x 16-bit user configurable analogue outputs
- 2 x digital outputs
- User configurable logging conditions
- Logging rate selectable to 100 Hz, 50 Hz, 20 Hz, 10 Hz, 5 Hz, 1 Hz
- Wide 7 V to 30 V operating range
- Low current consumption
- Free lifetime support

VBOX 3i Single Antenna

100 Hz GPS Data Logger (RLVB3i-V5)



Interfaces



GPS/GLONASS

VBOX 3i features a powerful GNSS engine capable of providing 100 Hz update rate for all GPS parameters (including velocity, heading and position). Velocity and heading data are calculated from Doppler Shift in the GPS carrier signal, providing users with unparalleled accuracy. In addition to GPS, the VB3i-V5 tracks the Russian GLONASS range of satellites. The advantage of using both satellite constellations is that there are almost twice as many satellites in view: this helps to maintain a robust satellite lock in areas where 'GPS only' reception can cause data interruption.

IMU Integration with the Racelogic IMU03 & IMU04

VBOX 3i can utilise data from a Racelogic IMU and uses a Kalman Filter to improve all parameters measured in real-time. All captured data is processed at 100 Hz, improving accuracy/noise levels, and enhancing the dynamic response to velocity. Parameters smoothed by this process include velocity, position, height, lateral and longitudinal acceleration, and vertical velocity. IMU integration also effectively combats complete satellite dropout up to a maximum time of 10 seconds without lock.

- VBOX 3i + IMU03: smoothed GPS channels + measurement of vehicle pitch and yaw rates + lever-arm correction for brake stops with FW 2.1 and higher.
- VBOX 3i + IMU04: smoothed GPS channels + measurement of vehicle pitch and yaw rates and angles + lever-arm correction for brake stops.

VBOX 3i Single Antenna

100 Hz GPS Data Logger (RLVB3i-V5)



Inputs/ Outputs

Inputs	Outputs
<p>CAN Bus Two CAN Bus interfaces are available. By utilising separate CAN Bus connections, it allows data to be logged from external modules (e.g., TC8, FIM03). Up to 16 CAN signals can also be logged from a different CAN source (e.g., Vehicle CAN Bus). When logging data from another source, VBOX Test Suite can load signal data from an industry standard CAN database file (.DBC).</p>	<p>CAN Bus One of the two VBOX CAN ports can be used to output VBOX GPS parameters plus any 12 channels from connected input modules or internal AD channels. The baud rate and CAN ID's for these outputs are user configurable.</p>
<p>Brake Trigger By using a physical pressure switch on the brake pedal, a precise 'start of braking event' can be captured.</p>	<p>RS232 The RS232 connector is used for VBOX configuration and output of real-time GPS data. Serial data sent to the software is limited by the bandwidth of the PC serial port - 20 Hz. (Full 100 Hz serial is available via USB / Bluetooth.)</p>
<p>Log Switch A start/stop logging switch allows users to manually choose when they wish to record data.</p>	<p>USB VBOX 3i USB connector can be used for VBOX Configuration to output real-time data at 100 Hz.</p>
<p>4x Analogue Input Each of the four Analogue Input channels on a VBOX 3i have a dedicated analogue converter. Data is recorded from each channel simultaneously to avoid latency between analogue channel data. The name, scale and offset of each Analogue Input channel can be adjusted using VBOX Tools software to allow sensor calibration and therefore logging of data in standard SI units. The Analogue Input connector also provides two power outputs that may be used for driving sensors. These are in the form of a 5 V DC isolated supply and an output equal to the VBOX power supply voltage. Log rates can be set to either 100 Hz or 500 Hz.</p>	<p>Bluetooth VBOX 3i comes equipped with an internal Bluetooth Radio allowing remote configuration and remote output of real-time GPS data to any Bluetooth capable PC or Data logger. The Bluetooth connection can send data at the full 100 Hz rate.</p>
<p>Voice Tagging VBOX 3i can record a GPS synchronised WAV audio tag up to 30 seconds long to a time accuracy of 0.5 sec. The recorded WAV file is then logged to the CF card.</p>	<p>2x Digital Outputs Two digital outputs are available. One Digital output is assigned to Speed/Distance – configurable via Pulses per Meter. While the second is a level switch output enabling users to select any one of the logged channels and assign it a threshold value.</p>
<p>Power Supply VBOX 3i can accept a supply voltage between 7 to 30V DC. Low current consumption results in extended battery life.</p>	<p>2x Analogue Outputs 2x 16-bit analogue outputs can be configured to output velocity (or other GPS parameters) for use by additional data logging equipment. The voltage output range is from 0 to 5 V DC with a resolution of 76 μV per bit.</p>

VBOX 3i Single Antenna

100 Hz GPS Data Logger (RLVB3i-V5)



GPS Specifications

Velocity		Distance	
Accuracy	0.1 km/h (averaged over 4 samples)	Accuracy	0.05 % (<50 cm per km)
Update rate	100 Hz	Units	metres / feet
Maximum velocity	1000 mph	Update rate	100 Hz
Minimum velocity	0.1 km/h	Resolution	1 cm
Resolution	0.01 km/h		
Latency			
Minimum	8.5 ±1 ms		
Fixed CAN delay, no IMU	15.5 ms		
Fixed CAN delay, with IMU integration	20 ms		
Precision	0.03 km/h (RMS)		

Absolute Positioning (RMS)		Time	
Accuracy* (Standalone)	V: 1.8 m; H: 1.2 m	Accel/Brake Test (MFD/VBOX Test Suite)	
Accuracy* with SBAS	V: 1.2 m; H: 0.8 m	Resolution	0.01 s
Accuracy* with DGPS	V: 0.5 m; H: 0.3 m	Accuracy	0.01 s
Update rate	100 Hz	Lap Timing (OLED/VBOX Test Suite)	
Resolution	1.8 mm	Resolution	0.01 s
		Accuracy	0.01 s**
		Precision	0.005 s

Heading		Brake Distance Accuracy	
Resolution	0.01°	Accuracy	+/- 1.8 cm
Accuracy	0.1°		

Acceleration		Environmental & Physical	
Accuracy	0.50%	Weight	Approx. 900 g
Maximum	20 g	Size	170 x 121 x 41 mm
Resolution	0.01 g	Operating temperature	-20°C to +70°C
Update rate	100 Hz	Storage temperature	-30°C to +80°C

Memory		Power	
Compact Flash	Type I	Input Voltage Range	7 – 30 V DC
Recording time	Dependent on flash	Power	Max. 5.5 Watts

* Specifications will vary depending on the number of satellites used, obstructions, satellite geometry (PDOP), multipath effects, and atmospheric conditions. For maximum system accuracy, always follow best practices for GNSS data collection.

** Not using DGPS and crossing the start/finish line at 100 km/h.

*** Approximately 29 MB per hour used when logging GPS data at 100 Hz. Approx. 182 MB per hour total logging capacity.

VBOX 3i Single Antenna

100 Hz GPS Data Logger (RLVB3i-V5)



Inputs

CAN Bus	
Racelogic Modules	Up to 32 channels from any combination of ADC02, ADC03, FIM02, TC8, Yaw sensor or CAN01
External CAN Bus	16 Channels of user definable CAN signal from external bus, e.g. Vehicle CAN bus Can load signal data from industry standard DBC database file

Analogue		Digital	
Number of channels	4, logged 100 Hz or 500 Hz	Brake event trigger	25 ns resolution
Input range	±50 V	On/Off logging control	Remote log control from hand-held switch
Channel sample order	Synchronous		
DC accuracy	±2 mV (calibrated at 23°C)		

Outputs

CAN Bus	
Bit rate	125 Kbits, 250 Kbits ,500 Kbits & 1 Mbit selectable baud rate
Identifier type	Standard 11 bit 2.0A
Data available	Satellites in View, Latitude, Longitude, Velocity, Heading, Altitude, Vertical Velocity, Distance, Longitudinal Acceleration & Lateral Acceleration, Distance from Trigger, Trigger, Time, Trigger Velocity

Analogue		Digital	
Voltage range	0 – 5 V DC	Frequency range	DC to 44.4 kHz
Default setting *	Velocity 0.0125 Volts per km/h (0 to 400 km/h)	Default setting *	Velocity 25 Hz per km/h (0 to 400 km/h) 90 pulses per metre
Accuracy	0.1 km/h	Accuracy	0.1 km/h
Update rate	100 Hz	Update rate	100 Hz

* The range settings can be adjusted by the user in VBOX Test Suite.

Storage

VBOX 3i can accept Type I compact flash cards to log data. Data is stored in a standard PC format allowing fast transfer of data to a PC equipped with a compact flash card reader. The file format is an ASCII text file that can be loaded directly into VBOX Test Suite software or imported into Excel and other third-party software.

VBOX 3i Single Antenna

100 Hz GPS Data Logger (RLVB3i-V5)



Package Contents

Description	Product Code
1x 100 Hz GPS data logging unit	RLVB3i-V5
1x GPS/GLONASS Low Profile Antenna with detachable RG-174 SMA-SMA cable (4 m)	RLACS156
1x Antenna cable, 4 m, SMA-SMA, RG-174	RLCAB071-4
1x Mains Charger	RLVBACS020
1x 12 V DC Cigar Lighter to 2W LEMO Power Cable (2 m)	RLCAB010LE
1x Bluetooth Antenna	RLACS119
1x 4 GB Compact Flash Card	RLACS098
1x USB Multi-Card Reader	RLACS163
1x 5-way LEMO to 9-way D-type Serial Cable (2 m)	RLCAB001
1x 25-way D-type connector	ADC25IPCON
1x USB A to USB Mini B Configuration Cable (2 m)	RLCAB066-2
1x VBOX Audio Headset	RLACS120
1x VBOX Padded Carry Case	RLVBACS013



Please note: On a VBOX 3i Single Antenna, the dual antenna feature 'D' and the 'RTK' feature are **not ticked** on the silver serial label. All units with the '**IMU04 ready**' sticker can be used for GPS/INS integration using the IMU04.